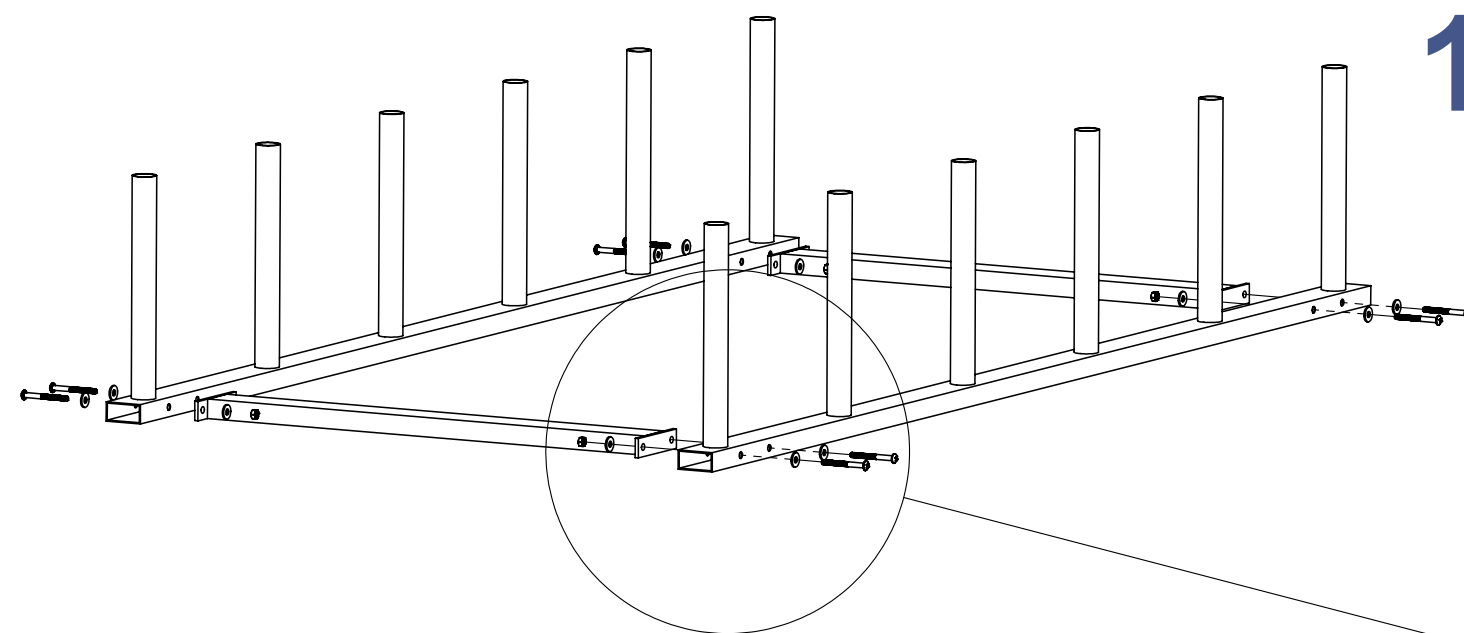
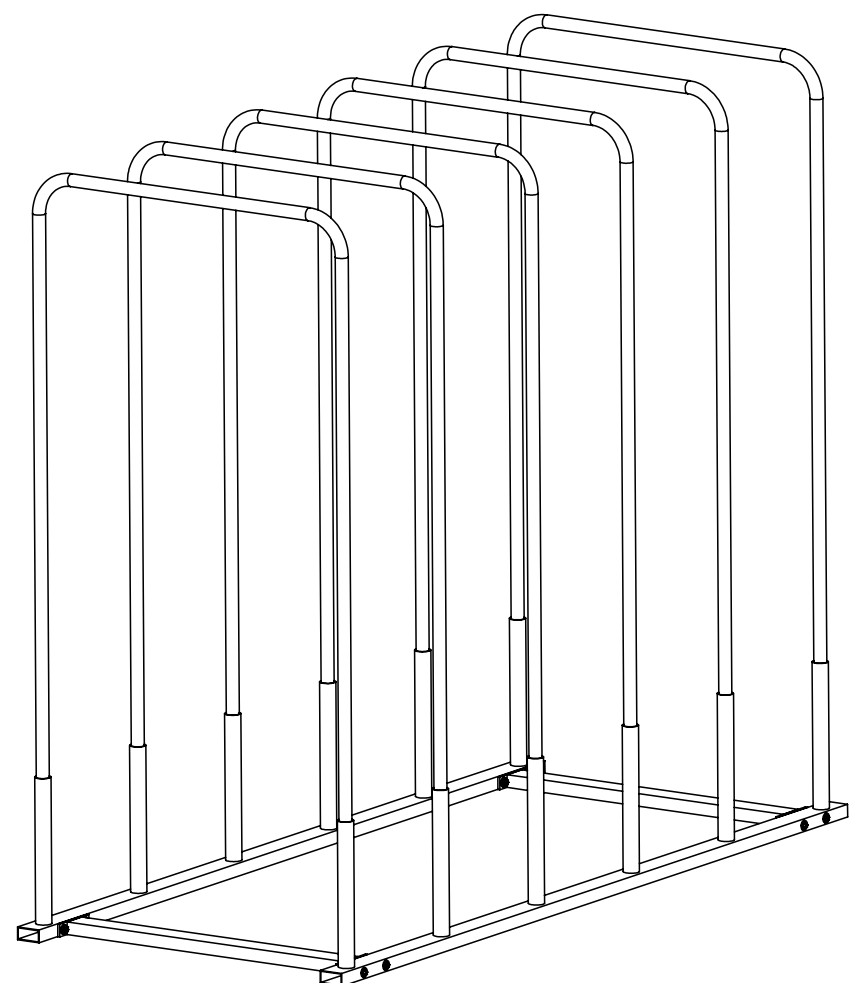


Twin Mattress Display Stand Assembly Instructions



1. Bolt the support braces to the hoop holder tube using the provided 2 1/2" PPH bolts, hex nuts and washers.



2. Insert the hoops into the support tubes.

